

New!
16 Oz. Flush

Microflush

Models LF-810 and LF-820



Microflush® 16 oz. Flush Toilets are the perfect choice where extreme water conservation is required. The bead-blasted stainless steel bowl is coated with a clear polyurethane coating to provide a superior bowl rinse. The durability of stainless steel provides years of service even in harsh environments. The unique Microphor air assisted flush allows for low flush water usage while providing an efficient and quiet flush every time without the use of electricity or pumps.

Features / Benefits:

- Uses only **16 ounces** of water per flush
- *Quiet* compressed air flush transports waste completely and efficiently
- Uses only 1 cubic foot (.028 cubic meters) of air
- Round toilet seat included
- Free standing or modular units available
- Flush valves can be integral or remote
- Available with optional FRA-compliant components and pedestal
- Works with Microphor Biological Waste Treatment Systems
- ADA compliant

Specifications:

- Water consumption: 16 ounces (.47 liters) water per flush at 2.5-50 psi
- Gravity water: 2.5 psig (.2bar) minimum
- Pressurized water: 50 psig (3.5 bar) maximum
- Compressed air at 60-65 psi constant (4.14 - 4.48 bar)
- Bowl constructed of type 304 stainless steel
- Pedestal, if supplied, constructed of FRA-compliant glass-reinforced plastic
- Shipping Weight: 30 pounds (15.88 kilograms)

Additional Information:

- Install gate or globe valve to control water use if pressure is above 20 psi
- Consult Microphor Compressor Sizing Chart for air line/compressor size
- Refer to Toilet Installation Instructions, P/N 24164, for installation details.
- Consult Microphor for specific part numbers

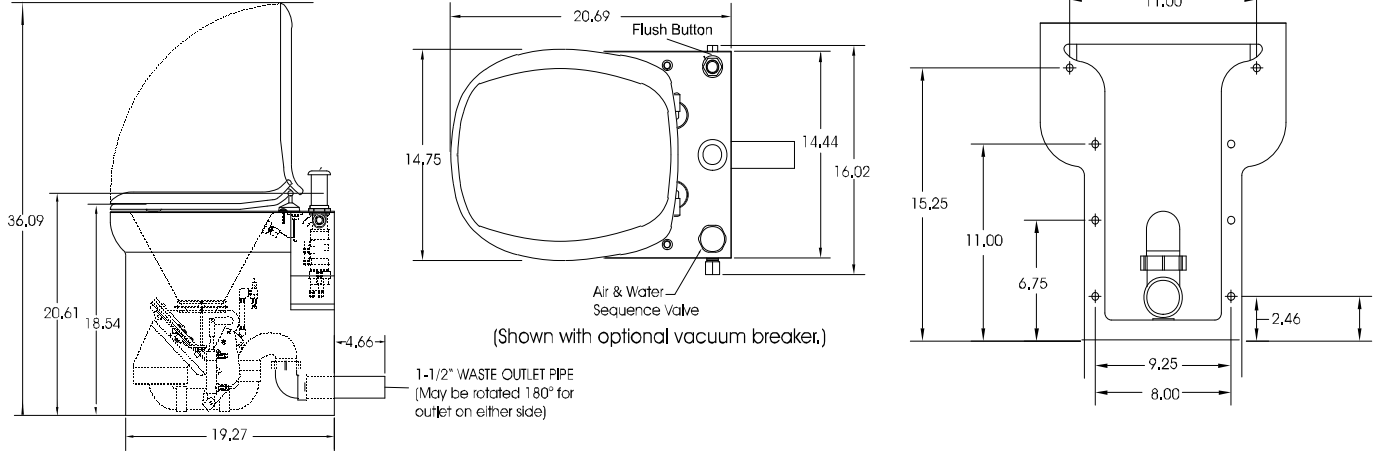


452 East Hill Road
Willits, CA 95490
(707) 459-5563
(800) 358-8280
Fax: (707) 459-6617
E: info@microphor.com
www.microphor.com
www.wabtec.com

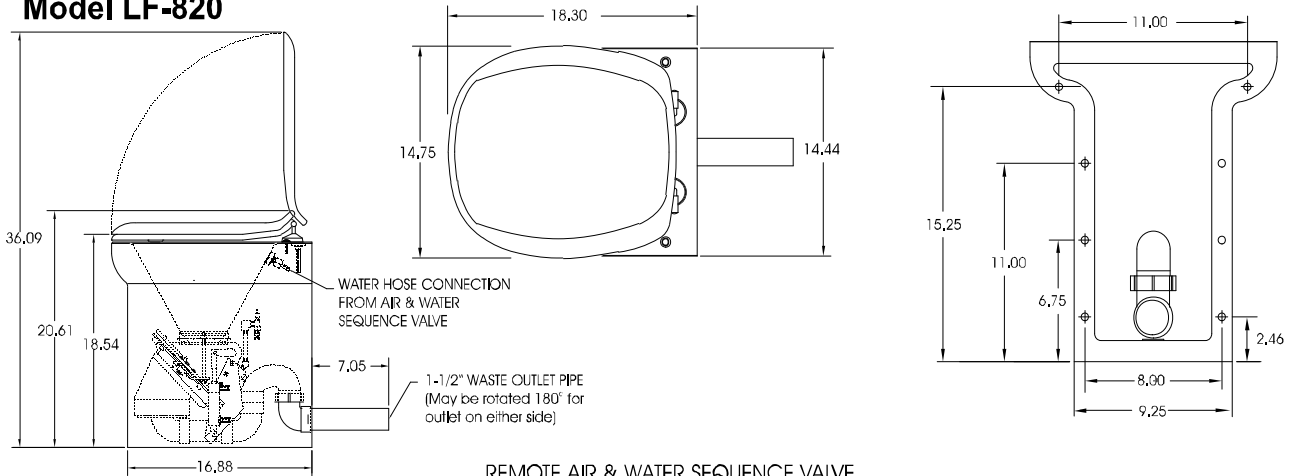
Microflush® LF-810 & LF-820 16 Ounce Flush

Rough-In Dimensions (+/- 0.5 inches)

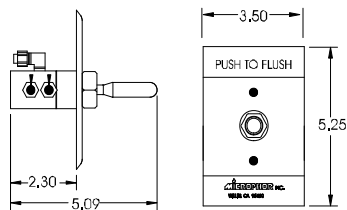
Model LF-810



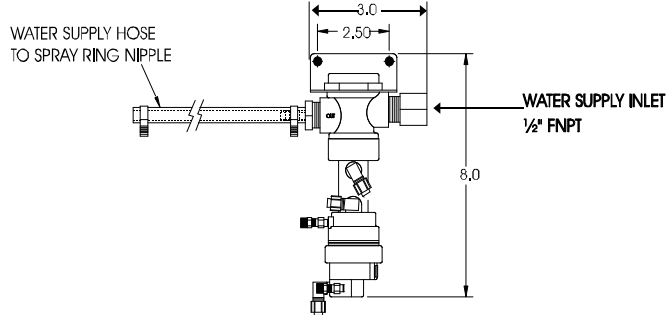
Model LF-820



REMOTE FLUSH ACTUATOR



REMOTE AIR & WATER SEQUENCE VALVE (may include optional Vacuum Breaker, not shown)



TOILET SEAT: Toilet seat post holes are on standard 5-1/4" centers. Seat is provided with all units shown.
SHIPPING INFORMATION: Weight: 30 pounds (11.2 kilograms); Volume: 3.9 cu. ft.
WARRANTY: Limited one-year on all component parts. Detailed warranty available upon request.

CHANGES IN DESIGN: Continuing a policy of research and development, Microphor reserves the right of price, product or design change without notice or obligation.

Microphor

®Registered Trademark of



452 East Hill Road
 Willits, CA 95490 USA
 Phone: 707.459.5563
 Toll Free: 1.800.358.8280

Fax: 707.459.6617
 E-mail: info@microphor.com
 www.microphor.com
 www.wabtec.com 3/8/02

347.wpd