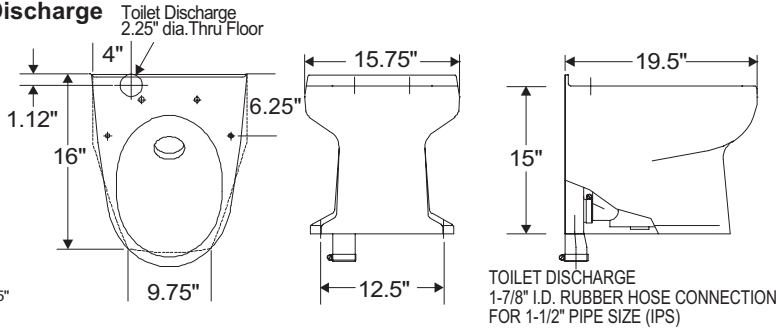


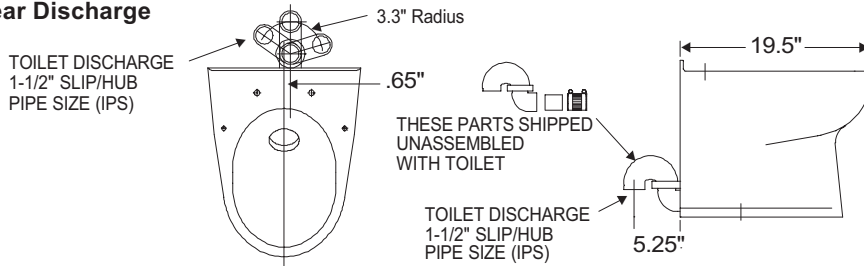
Microflush® Model LF-219® Specifications

Downward Discharge



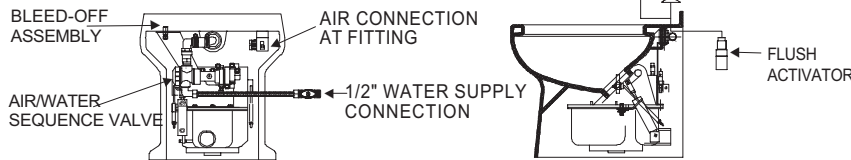
All dimensions ± .5"

Rear Discharge

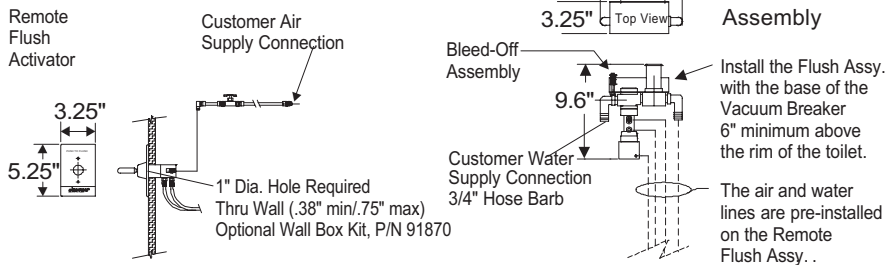


Integral Flush

Integral Check Valve - No Vacuum Breaker - Check Local Code for Approval.



Remote Flush Rough-In



THE MAXIMUM WATER LINE DISTANCE BETWEEN THE TOILET AND THE REMOTE FLUSH ASSY IS SIX (6) FEET Gfc: 219-Spec

Specification Data

Each Model LF-219® toilet shall be vitreous china, rear or bottom discharge, floor-mounted, ultra low flow water use type, manufactured by Microphor of Willits, California.

The flushing mechanism shall be an air-operated Air/Water Sequence Valve. The Air/Water Sequence Valve shall regulate the length of the flushing cycle and the amount of water that will be used is not to exceed an average of 0.6 gallon (2 liters) per flush. Sufficient water shall be left in the bowl to prevent a idry bowl condition and provide a minimum water surface area of 12-1/4" x 10-1/2" when the toilet is not flushing.

The evacuation hopper shall be fabricated of non-deteriorating injection molded thermo-plastic material. The flapper seal shall be fabricated of nitrile rubber. Integral air lines shall be 1/4" OD extruded seamless tubing of non-hydroscopic Type II nylon resin. Burst rating of air lines shall be 1,000 PSI at 75 degrees F. An air supply system of a size recommended by Microphor shall be installed.

General Information - The Microflush® Model LF-219® fixture is suitable for replacement of existing fixtures or for use in new construction. The following are general installation requirements.

Air - An air line from a compressed air source must be supplied. An air pressure regulator must be installed at the air tank to provide a constant pressure 60 - 65 PSI to the toilet. Sizing of compressors and air lines is shown on the Compressor Sizing Chart (Form #273). An Air Connecting Kit, P/N 93086, is provided and contains fittings, shut-off cock and 72" tubing to connect toilet to main air line with 1/4" MPT fitting. Optional Air Connecting Kits available (see Air System Accessories).

Water - Water is to be supplied to the toilet by a standard 1/2" ID Hose Barb with a minimum of 20 PSI and a maximum of 50 PSI and a constant pressure with a variation of no more than ± 3 PSI. Higher water pressure can prevent toilet from flushing. If higher pressures are anticipated, install a pressure reducing valve in the water line. Ideal pressure is 35 PSI. It is suggested that a shut-off valve or stop be installed in the water line between the toilet and the wall or floor.

Toilet Seat - Not provided (See Toilet Accessories). Post holes on 5-5/8" centers.

Toilet Mounting - Toilet can be mounted to floor with 1/4" closet screws. Mounting screws, bolts and caps are provided.

Shipping Information - Net weight : 65 lbs., Shipping weight: 70 lbs. Volume: 6.9 cubic feet

Warranty - Limited one year on all component parts. Detailed warranty available upon request. Microphor General Terms and Conditions Covering Sales apply.

Toilet Riser - Toilet meets ADA height requirements when mounted on the HR-1 Toilet Riser. Contact factory for details.



Changes In Design - Continuing a policy of research and development, Microphor, Inc., reserves the right of price, product, or design change without notice or obligation.



452 East Hill Road
Willits, CA 95490 USA
Phone: 707-459-5563
Toll Free: 800-358-8280

Fax: 707-459-6617
E-mail: info@microphor.com
www.microphor.com
www.wabtec.com